

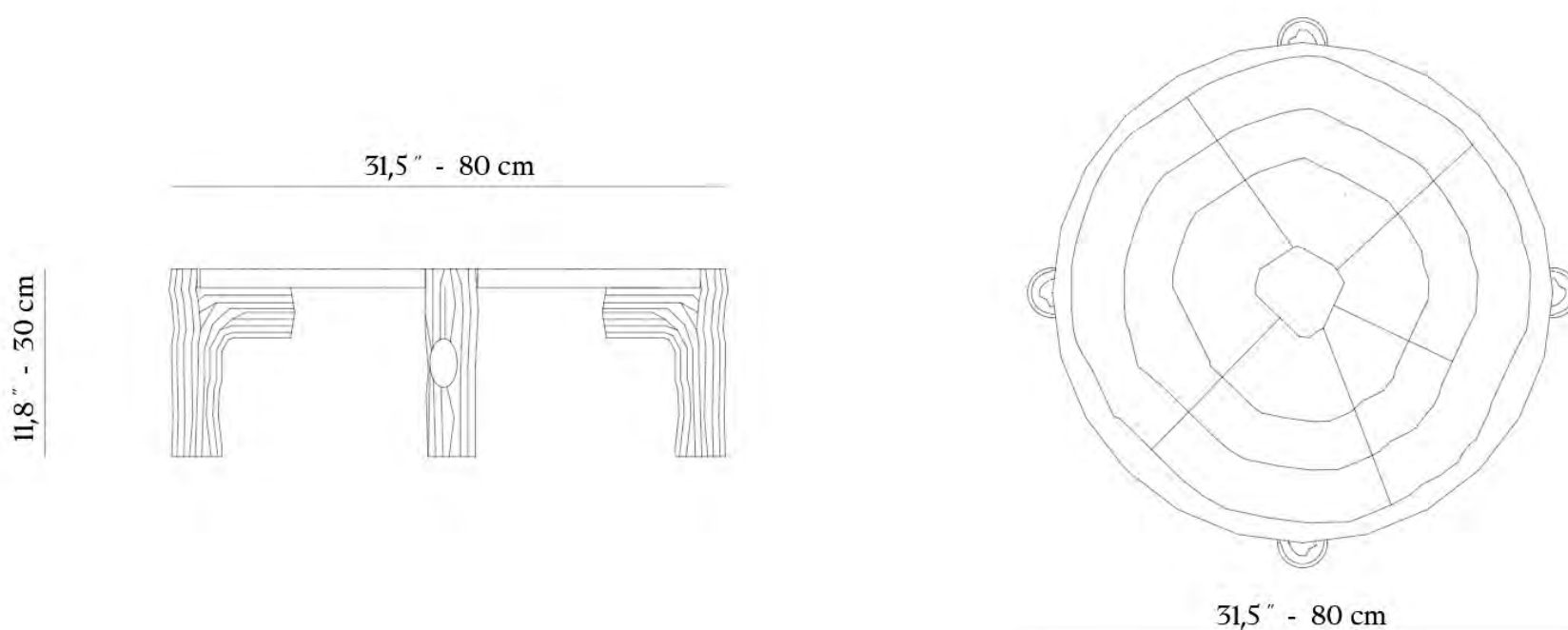
Roucaïo

TABLE



In the 19th century, the Italian masons who settled in Provence brought with them the concrete faux bois technique, otherwise known as false wood. This naïve and rustic ornamentation of nature in concrete added creative madness to the gardens of Provence. The table, *Roucaïo*, "rocaille" in Provençal, revisits the concrete faux bois with its log tabletop and intertwined branches for legs. Made by one of the remaining faux bois sculptors in Provence.

DIM

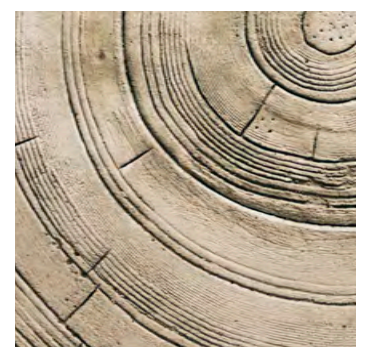


SPECIFICATIONS

WIDTH : 31,5'' - 80 cm

DEPTH : 31,5'' - 80 cm

HEIGHT : 11,8'' - 30 cm



CONCRETE FAUX BOIS

This piece is handmade by a Provençal craftsman. It is unique and durable. That's why any variation in finish or color arise from the authenticity of the object. In order to maintain quality, treat it gently.
